

AMPLETEK Cable accessories - Medium Voltage

► Company Brief Introduction



Guangdong AMPLE Technology Co.,Ltd., is a large-scale manufacturer with the integration of research, production and marketing of M.V.& H.V. cable accessories. The company mainly business in medium/high-voltage cable plug parts, GIS inner cone plug-in terminals as well as screen zinc-dioxide arresters, covering voltage levels from 6kV to 40.5kV. The plug parts ranging from 24kV to 36kV have passed the European Electrical Authority test "KEMA test". We based on scientific research, attached importance to the market, and stick to the integrated manufacturing sales and service pattern---"High quality product plus high-quality technical service". Provide excellent and complete cable branch power distribution resolutions and all the concerned product service for medium/high-voltage power distribution customers both at home and abroad.



▶ 12-24kV 630A Screen Front connector



Type: AQT3 12-24/630KD/□

1. Screen Front/Rear connector is suitable for 20kV Electric Distribution System, Cable Branch Unit, Ring Main Unit and Pad-mounted transformer, etc. . It assures product can supply electricity for branches.
2. Suitable for fully-submersible connection of size $\phi 46/\phi 56/91.5/M16$ bushing (Meet for En50180 and En50181).
3. Apply to 12/20kV、18/30kV XLPE cable , cable cross section is 35-400mm².
4. KEMA certificate passed.

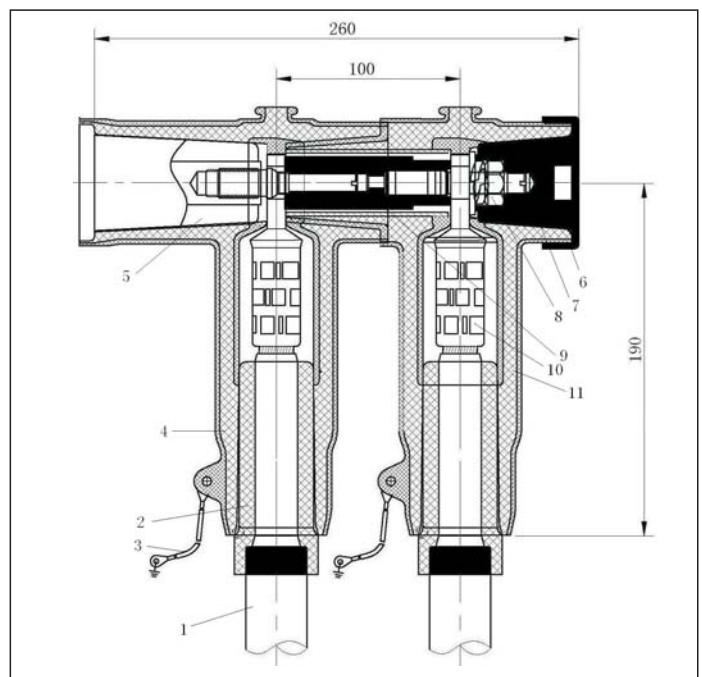


Type: AHT3 12-24/630KD/□

Characteristics

1. Fully-insulated, fully-submersible and fully screened product.
2. The distance between the center of assembled front and rear connector is 100mm. Not only meet the mounting space requirement of inflatable type ring main unit but minimized the structure dimension of distribution branch box.

1. Cable
2. Cable adapter
3. Earthing wire
4. Front connector body
5. Bushing
6. Screen cover
7. Un-screen insulating plug
8. Bolt
9. Copper linking rod
10. Compression lug
11. Rear connector body



▶ 24kV 250A Elbow / Straight connector



Type: AZT 12-24/250/□



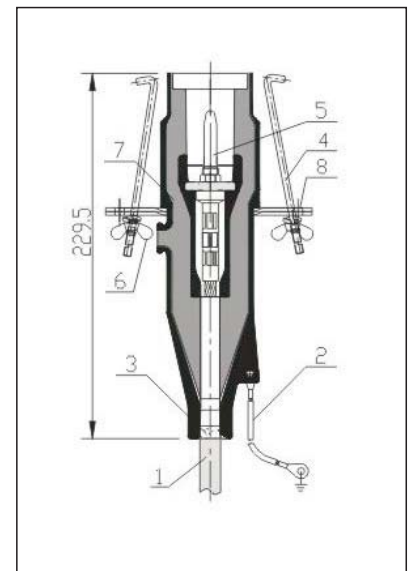
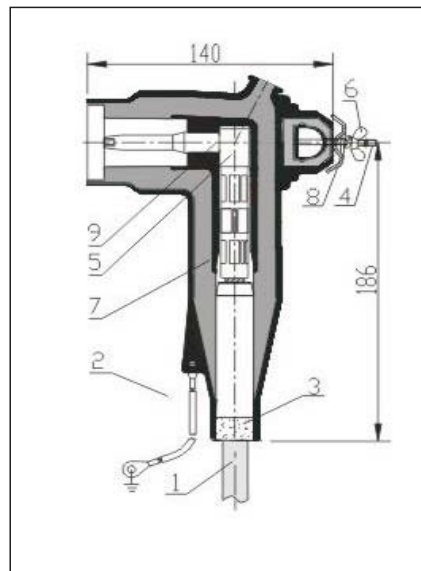
Type: AZC 12-24/250/□

1. Elbow connector and straight connector are suitable for the outline of Ring Main Unit and Transformer.
2. Rated current : 250A
3. Apply to 12/20kV、18/30 XLPE cable, the cable cross section is 35–120mm².
4. Special fixing structure makes the spring compress come true.

Characteristics

1. Fully-insulated, fully-submersible and fully-screened.
2. The compress device guarantees the reliable using.
3. Compared with other device, the structure dimension is more compact.
4. No minimum phase clearance requirements.
5. Mounting can be vertical , horizontal , or any angle in between

1. Cable
2. Earthing wire
3. Semi-conductive tape
4. Bolt
5. Compression lug
6. Nut
7. Elbow /Straight connector body
8. Compression board
9. Copper linking rod



▶ 36kV 630A Front / Rear connector



Type: AQT3-36/630KT/□

1. Screen Front/Rear connector is suitable for Electric Distribution System, Cable Branch Unit, Ring Main Unit and Pad-mounted transformer, etc. . It assures product can supply electricity for branches.
2. Suitable for fully-submersible connection of size $\phi 46/\phi 56/91.5/M16$ bushing (Meet for En50180 and En50181) .
3. Apply to 18/30kV XLPE cable , and cable cross section is 35-400mm².
- 4 . Type test passed.

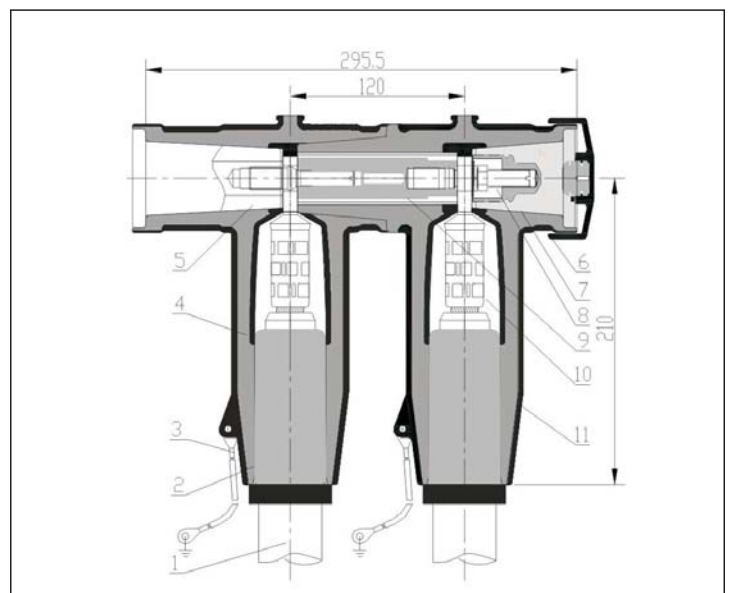


Type: AHT3-36/630KT/□

Characteristics

1. Fully-insulated, fully-submersible and fully screened product.
2. It can balance the electric field intensity, high performance, small space, special structure design.
3. It's easy for installation, higher tolerance.
4. Excellent stress control, compact design, long shelf life.

1. Cable
2. Cable adaptor
3. Earthing wire
4. Front connector body
5. Bushing
6. Screen cover
7. Screen insulating plug
8. Bolt
9. Copper linking rod
10. Compression lug
11. Rear connector body



▶ 24/36kV 400A Deadbreak Elbow connector



■ AZT-24/400/□

■ AZT-36/400/□

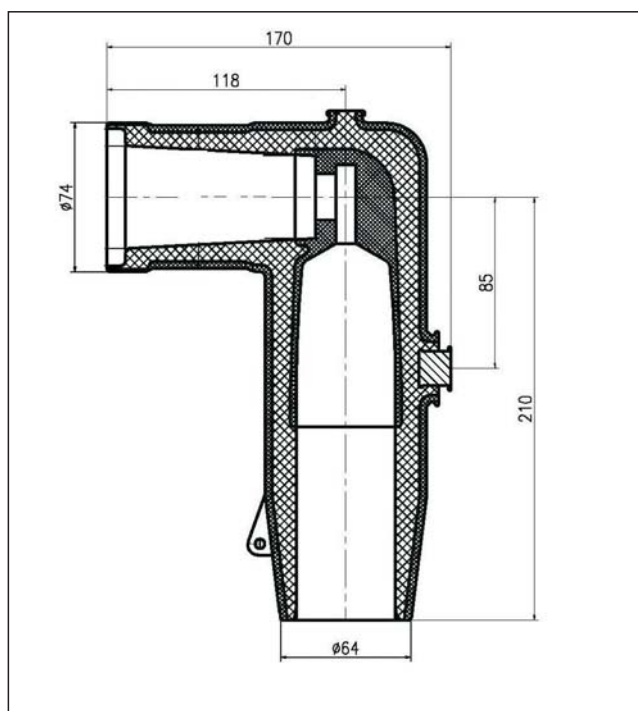
1. Deadbreak Elbow connector is for the connection of polymeric cable to transformers, Switchgear, motors and other equipment with a premoulded separable connector.
2. For Indoor and outdoor installations.
3. Apply to 18/30kV XLPE cable, cable cross section is 35-400mm².
4. Rated voltage : 24kV / 36kV
5. Rated current: 400A

Characteristics

1. Provides a fully screened and fully-submersible separable connection when mated with the proper bushing or plug.
2. Built-in capacitive test point allows for an easy check of the circuit status or installation of a fault indicator.
3. Not minimum phase clearance requirements.
4. Mounting can be vertical, horizontal, or any angle in between,

▶ Electrical Ratings

Description	AZT-24/400	AZT-36/400
Max. System voltage(U _m)	24kV	36kV
Impulse	125kV	170kV
A.C. withstand voltage (5min)	54kV	81kV
Continuous current	400A	400A
Overload (8hrs Max.)	600A	600A
Short circuit withstand, 1sec.	18kA	18kA



▶ 15kV Rear connector w/arrester



Type: AHY5WZ7-17/45(50)

1. Rear connector w/arrester protects electric apparatus from lightning and over-voltage.
2. Arrester is adopted special explosion-protective separable device.
3. The arrester can keep in good operation under the condition of broken because of longtime aging or thunder lightning strike.
4. Protect the arrester from explosion or permanent earthing fault.
5. Guarantee the grid running safely.
6. Suitable for AQT3-15/630KD Front connector .

Connector w/arrester performance parameter

Description	AHY5WZ7-17/45(50)
System nominal voltage	10kV(r.m.s)
Rated voltage	17kV
Continuous operation voltage	13.6kV
5kA lightning impulse current residual voltage	45kV
At D.C. 1mA voltage U_{mA}	$\geq 25kV$
Leakage current at D.C. 0.75 U_{1mA}	$\leq 50 \mu A$
2ms Rectangular current withstand	150A
A.C. withstand voltage test for EPDM housing	39kV

▶ 24kV Rear connector w/arrester



Type: AHY5WZ-34/85(34/90)

1. Rear connector w/arrester protects electric apparatus from lightning and over-voltage.
2. Arrester is adopted special explosion-protective separable device.
3. The arrester can keep in good operation under the condition of broken because of longtime aging or thunder lightning strike.
4. Protect the arrester from explosion or permanent earthing fault.
5. Guarantee the grid running safely.
6. Suitable for AQT3-24/630KD Front connector .

Connector w/arrester performance parameter

Description	AHY5WZ-34/85(34/90)
System nominal voltage	20kV(r.m.s)
Rated voltage	34kV
Continuous operation voltage	27.2kV
5kA lightning impulse current residual voltage	≤85kV
At D.C. 1mA voltage U_{mA}	≥48kV
Leakage current at D.C. 0.75 U_{1mA}	≤50 μ A
2ms Rectangular current withstand	150A
A.C. withstand voltage test for EPDM housing	54kV

▶ 35(40.5)kV Rear connector w/arrester

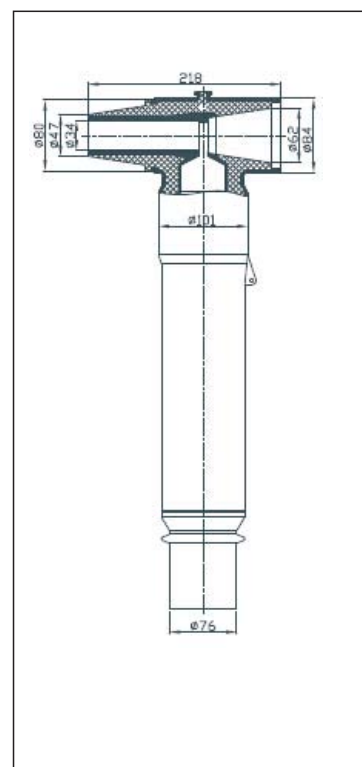


Type: AHY5WZ3-51/134(127)

1. Rear connector w/arrester protects electric apparatus from lightning and over-voltage.
2. Arrester is adopted special explosion-protective separable device.
3. The arrester can keep in good operation under the condition of broken because of longtime aging or thunder lightning strike.
4. Protect the arrester from explosion or permanent earthing fault.
5. Guarantee the grid running safely.
6. Suitable for IEC AQT3-35(40.5)/630KC and IEEE AQT3-35(40.5)/600KB

Connector w/arrester performance parameter

Description	AHY5WZ3-51/134(127)
Rated voltage	51kV
Continuous operation voltage	40.8kV
5kA lightning impulse current residual voltage	134kV
At D.C. 1mA voltage U_{mA}	$\geq 73kV$
Leakage current at D.C. 0.75 U_{1mA}	$\leq 50 \mu A$
2ms Rectangular current withstand	400A(600A)



AMPLETEK Cable accessories - Medium Voltage

▶ IEC 35(40.5)kV Screened Front & Rear connector

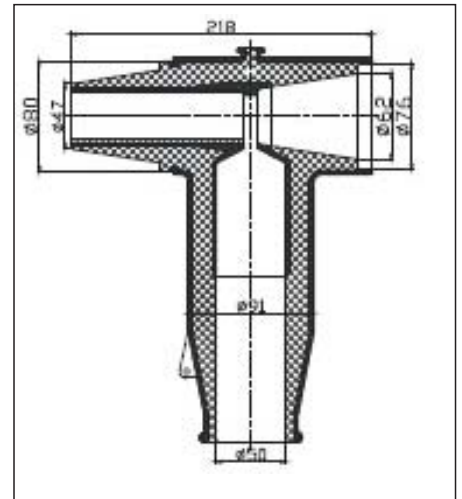
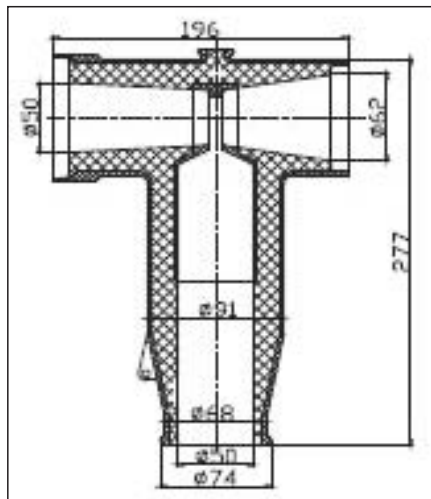


Type: AQT3-35(40.5)/630KC

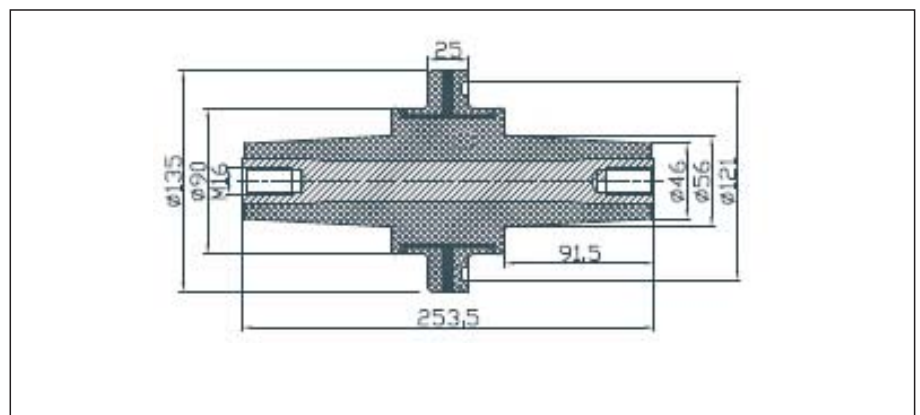
1. Suitable for the high voltage electrical apparatus of power plant, power transformer station at or under 40.5kV, such as cable branch box, combination transformer and incoming/outgoing line of GIS system.
2. Fully insulated, fully sealed and fully screened.
3. Adopt advanced back injecting technology, the electric performance reaches the international leading level.
4. More safe and reliable.
5. Little effect by bad weather to mounting condition.
6. Coagulation dew resistant and contaminate proof, free of maintenance.
7. The stress settled with high partial discharge level adopted German technology.
8. The small dimension sufficiently meets the mounting space requirement.
9. Leading provision cable connector in the world.
10. The conductor cross section is 50-630mm².
11. IEC suitable for size $\phi 46 / \phi 56 / 91.5$ mm bushing.



Type: AHT3-35(40.5)/630KC



Type: AEB-35(40.5)/630



▶ IEEE 35(40.5)kV Screened Front & Rear connector



IEEE Type: AQT3-35(40.5)/600KB



Type: AHT3-35(40.5)/600KB



Type: AHB-35(40.5)/630

1. Suitable for the high voltage electrical apparatus of power plant, power transformer station at or under 35kV , such as cable branch box, combination transformer and incoming / outgoing line of GIS system.
2. Fully insulated, fully sealed and fully screened.
3. Adopt advance back injecting technology, the electric performance reach the international leading level.
4. More safe and reliable.
5. Little effect by bad weather to mounting condition.
6. Coagulation dew resistant and contaminate proof, free of maintenance.
7. The stress settled with high partial discharge level adopted German technology.
8. The small dimension sufficiently meets the mounting space requirement.
9. Leading provision cable connector in the world.
10. The conductor cross section is 50–630mm².
11. IEEE suitable for size $\phi 40 / \phi 61 / 105$ mm bushing.

