

250 A 24 kV class deadbreak elbow connector - interface A



DE250 - 24 kV Applications

Related products

- DRC250 Receptacle Cap
- DPD250 Dead End Plug
- DPS250 Standoff Plug
- DPE250 Earthing Plug
- DJ250 Junctions

Installation

- No special tools, heating, taping, or potting are required
- Connector may be energized immediately after installation on its mating part
- Mates with bushings, plugs, and junction devices designed for interface A and complying with the listed standards

Application

- For connection of polymeric cable to transformers, switchgear, motors and other equipment with a premoulded separable connector
- For indoor and outdoor installations
- Type A interface as described by CENELEC EN 50180 and EN 50181
- System voltage up to 24 kV
- Continuous current 250 A (300 A overload for 8 hours)
- Cable particulars:
 - Polymeric cable (XLPE, EPR, etc.)
 - Copper or aluminum conductors
 - Semiconducting or metallic screens
- Conductor size 16-120 mm²

Features

- Provides a fully screened and fully submersible separable connection when mated with the proper bushing or plug
- Built-in capacitive test point to determine the circuit status or install a fault indicator
- No minimum phase clearance requirements
- Mounting can be vertical, horizontal, or any angle in between
- 100% factory tested
 - AC withstand
 - Partial discharge

Standards

- Meets the requirements of Cenelec HD629.1 and IEC 60502-4

EATON

Powering Business Worldwide

250 A, 24 kV class deadbreak straight connector - interface A



Related products

- DPC250 Receptacle Cap
- DPD2500 Dead End Plug
- DPE250 Earthing Plug
- DPS250 Standoff Plug
- DJ250 Junctions

Installation

- No special tools, heating, taping, or potting are required
- Connector may be energized immediately after installation on its mating part
- Mates with bushings, plugs, and junction devices designed for interface A and complying with the listed standards

Application

- For connection of polymeric cable to transformers, switchgear, motors and other equipment with a premoulded separable connector
- For indoor and outdoor installations
- Type A interface as described by Cenelec EN 50180 and EN50181
- System voltage up to 24 kV
- Continuous current 250 A (300 A overload for 8 hours)
- Cable particulars:
 - Polymeric cable (XLPE, EPR, etc.)
 - Copper or aluminum conductors
 - Semiconducting or metallic screens
- Conductor size:16-120 mm²

Features

- Provides a fully screened and fully submersible separable connection when mated with proper bushing or plug.
- Built-in capacitive test point to determine the circuit status or install a fault indicator.
- No minimum phase clearance requirements.
- Mounting can be vertical, horizontal, or any angle in between.
- 100% factory tested.
 - AC withstand
 - Partial Discharge

400 A deadbreak elbow connector - interface B



DE400 – 24 kV applications

DE436 – 36 kV applications

Related products

- DRC400P / 436P Receptacle Cap

Installation

- No special tools, heating, taping, or potting are required
- Connector may be energized immediately after installation on its mating part
- Mates with bushings, plugs, and junction devices complying with CENELEC 50180 and 50181

Application

- For connection of polymeric cable to transformers, switchgear, motors and other equipment with a premoulded separable connector
- For indoor and outdoor installations
- System voltage up to 36 kV
- Continuous current 400 A (600 A overload for 8 hours)
- Cable particulars:
 - Polymeric cable (XLPE, EPR, etc.)
 - Copper or aluminum conductors
 - Semiconducting or metallic screens
- Conductor size: 12 kV 70-400 mm²
24 kV 25-400 mm²
36 kV 25-240 mm²

Features

- Provides a fully screened and fully submersible separable connection when mated with the proper bushing or plug
- Built-in capacitive test point allows for an easy check of the circuit status or installation of a fault indicator
- No minimum phase clearance requirements
- Mounting can be vertical, horizontal, or any angle in between
- 100% factory tested

Standards

- Meets the requirements of IEC 60502-4 and CENELEC HD 629.1 S2

EATON

Powering Business Worldwide

630 A deadbreak bolted tee connector - interface C



DT400 - 24 kV applications

DT436 - 36 kV applications

Related products

- DPC400/DPC436 Connecting Plug
- DRC400/DRC436 Receptacle Cap

Installation

- No special tools, heating, taping, or potting are required.
- Connector may be energized immediately after installation on its mating part.
- Mates with bushings, plugs, and junction devices complying with interface C per CENELEC 50180 and 50181.

Application

- For connection of extruded polymeric cable to transformers, switchgear, motors and other equipment with a premoulded separable connector.
- For indoor and outdoor installations.
- System voltage up to 36 kV.
- Continuous current 630 A (900 A overload for 8 hours).
- Cable particulars:
 - Extruded polymeric cable (XLPE, EPR, etc.)
 - Copper or aluminum conductors
 - Semiconducting or metallic screens
- Conductor size: 12 kV 70-400 mm²
24 kV 25-400 mm²
36 kV 25-240 mm²

Features

- Provides a fully screened and fully submersible separable connection when mated with proper bushing or plug.
- Built-in capacitive test point allows for an easy check of the circuit status or installation of a fault indicator.
- No minimum phase clearance requirements.
- Mounting can be vertical, horizontal, or any angle in between.
- 100% factory tested.
 - AC withstand
 - Partial Discharge

Standards

- Meets the requirements of CENELEC HD629.1 S2 and IEC 60502-4.

EATON

Powering Business Worldwide

630 A deadbreak bolted tee connector - interface C



DTS624 – 24 kV applications

DTS636 – 36kV applications

Related products

- DRC400/436 Receptacle Cap
- DPC400/436 Connecting Plug

• Installation

- No special tools or heating are required
- Connector may be energized immediately after installation on its mating part
- Mates with bushings, plugs, and junction devices complying with interface C per CENELEC 50180 and 50181

Application

- For connection of extruded polymeric cable to transformers, switchgear, motors and other equipment with a premoulded separable connector
- For indoor and outdoor installations
- System voltage up to 36 kV
- Continuous current 630 A (900 A overload for 8 hours)
- Cable particulars:
 - Extruded polymeric cable (XLPE, EPR, etc.)
 - Copper or aluminum conductors
 - Semiconducting or metallic screens
- Conductor size: 12 kV 25-300 mm²
24 kV 25-300 mm²
36kV 25-240 mm²

Features

- Provides a fully screened and fully submersible separable connection when mated with the proper bushing or plug
- Built-in capacitive test point allows for an easy check of the circuit status or installation of a fault indicator
- No minimum phase clearance requirements
- Mounting can be vertical, horizontal, or any angle in between
- 100% factory tested
 - AC Withstand
 - Partial Discharge

Standards

- Meets the requirements of IEC 60502-4 and CENELEC HD 629.1 S2

630 A deadbreak companion tee connector for DTS624/636



DTB624 – 24 kV applications

DTB636 – 36 kV applications

Related products

- DTS624/636 Bolted Tee Connector

Installation

- No special tools, heating, taping, or potting are required
- Connector may be energized immediately after installation on its mating part
- Mates with the matching bolted tee connector DTS624 or DTS636 only

Application

- For connection of extruded polymeric cable to transformers, switchgear, motors and other equipment with a premoulded separable connector
- For indoor and outdoor installations
- System voltage up to 36 kV
- Continuous current 630 A (900 A overload for 8 hours)
- Cable particulars:
 - Extruded polymeric cable (XLPE, EPR, etc.)
 - Copper or aluminum conductors
 - Semiconducting or metallic screens
- Conductor size: 12 kV 25-300 mm²
24 kV 25-300 mm²
36 kV 25-240 mm²

Features

- Provides a fully screened and fully submersible separable connection when mated with the proper bushing or plug
- Built-in capacitive test point allows for an easy check of the circuit status or installation of a fault indicator
- No minimum phase clearance requirements
- Mounting can be vertical, horizontal, or any angle in between
- 100% factory tested
 - AC Withstand
 - Partial Discharge

Standards

- Meets the requirements of IEC 60502-4 and CENELEC HD 629.1 S2

EATON

Powering Business Worldwide

DTB1242 bolted companion tee connector



Application

- For connection of polymeric cable to transformers, switchgear, motors and other equipment with a premoulded separable connector
- For indoor and outdoor installations
- System voltage up to 42 kV
- Continuous current rating up to 1250 A when installed on an appropriate equipment bushing
- Cable particulars:
 - Polymeric cable (XLPE, EPR, etc.)
 - Copper or aluminum conductors
 - Semiconducting or metallic screens
- Conductor size: 24 kV 120-800 mm²
36 kV 95-800 mm²

Features

- Provides a fully screened and fully submersible separable connection when mated with the proper bushing or plug
- Built-in capacitive test point allows for an easy check of the circuit status
- Available with either DIN compression lugs or mechanical (shear bolt) lugs
- No minimum phase clearance requirements
- Mounting can be vertical, horizontal, or any angle in between
- 100% factory tested

Standards

- Meets the requirements of IEC 60502-4 and GENELEC HD 629.1 S2

Quality assurance

- Our manufacturing facility is registered to ISO 9001 by third party audit
- Required Production Tests
- Periodic X-Ray Analysis

Installation

- No special tools, heating, taping, or potting are required
- Connector may be energized immediately after installation on its mating part
- Mates to bolted tee connector DTS1242

DTS1242 bolted tee connector - interface C



Application

- For connection of polymeric cable to transformers, switchgear, motors and other equipment with a premoulded separable connector
- For indoor and outdoor installations
- System voltage up to 42 kV
- Continuous current rating up to 1250 A when installed on an appropriate equipment bushing
- Cable particulars:
 - Polymeric cable (XLPE, EPR, etc.)
 - Copper or aluminum conductors
 - Semiconducting or metallic screens
- Conductor size: 24 kV 120-800 mm²
36 kV 95-800 mm²

Features

- Provides a fully screened and fully submersible separable connection when mated with the proper bushing or plug
- Built-in capacitive test point allows for an easy check of the circuit status
- Available with either DIN compression lugs or mechanical (shear bolt) lugs
- No minimum phase clearance requirements
- Mounting can be vertical, horizontal, or any angle in between
- 100% factory tested

Standards

- Meets the requirements of IEC 60502-4 and CENELEC HD 629.1 S2

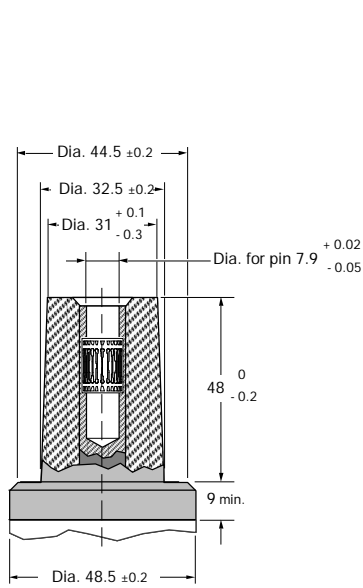
Quality assurance

- Our manufacturing facility is registered to ISO 9001 by third party audit
- Required Production Tests
- Periodic X-Ray Analysis

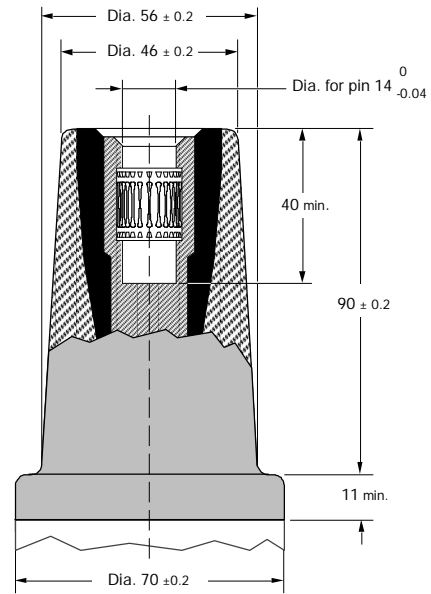
Installation

- No special tools, heating, taping, or potting are required
- Connector may be energized immediately after installation on its mating part
- Mates with bushings, plugs, and junction devices complying with CENELEC EN 50180 and 50181

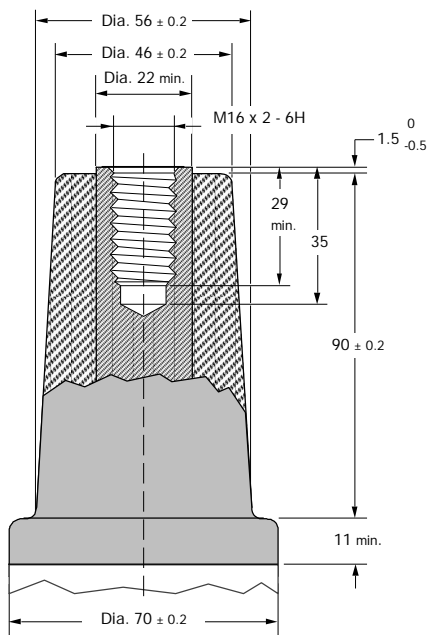
**DIMENSIONI SECONDO
STANDARD EUROPEO CENELEC EN 50181
BUSHING INTERFACES - 12 AND 24 Kv**



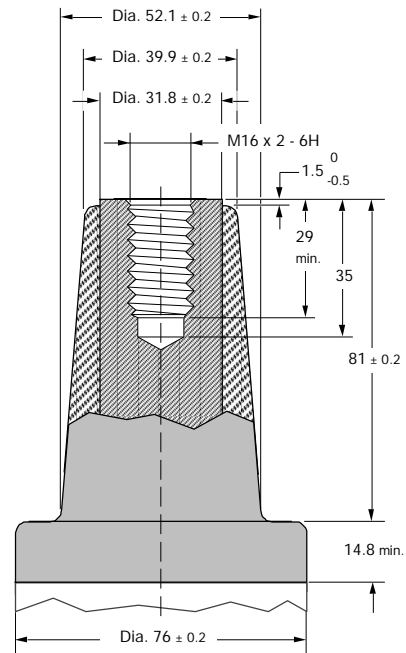
INTERFACE A



INTERFACE B



INTERFACE C



INTERFACE D

VALORI DI CORTO CIRCUITO

Interface type	Current ratings (A)	RMS symm. (kA)			Peak asymm. (kA)
		1 sec.	2 sec.	3 sec.	
A*	250	12.5	9.0	7.5	31
B*	400	16.0	11.3	9.2	40
C**	630	50.0	35.3	28.8	125
D**	800	50.0	35.3	28.8	125
D**	1250	75.0	53.0	43.3	> 150

* Pin and socket contact

** Bolted contact