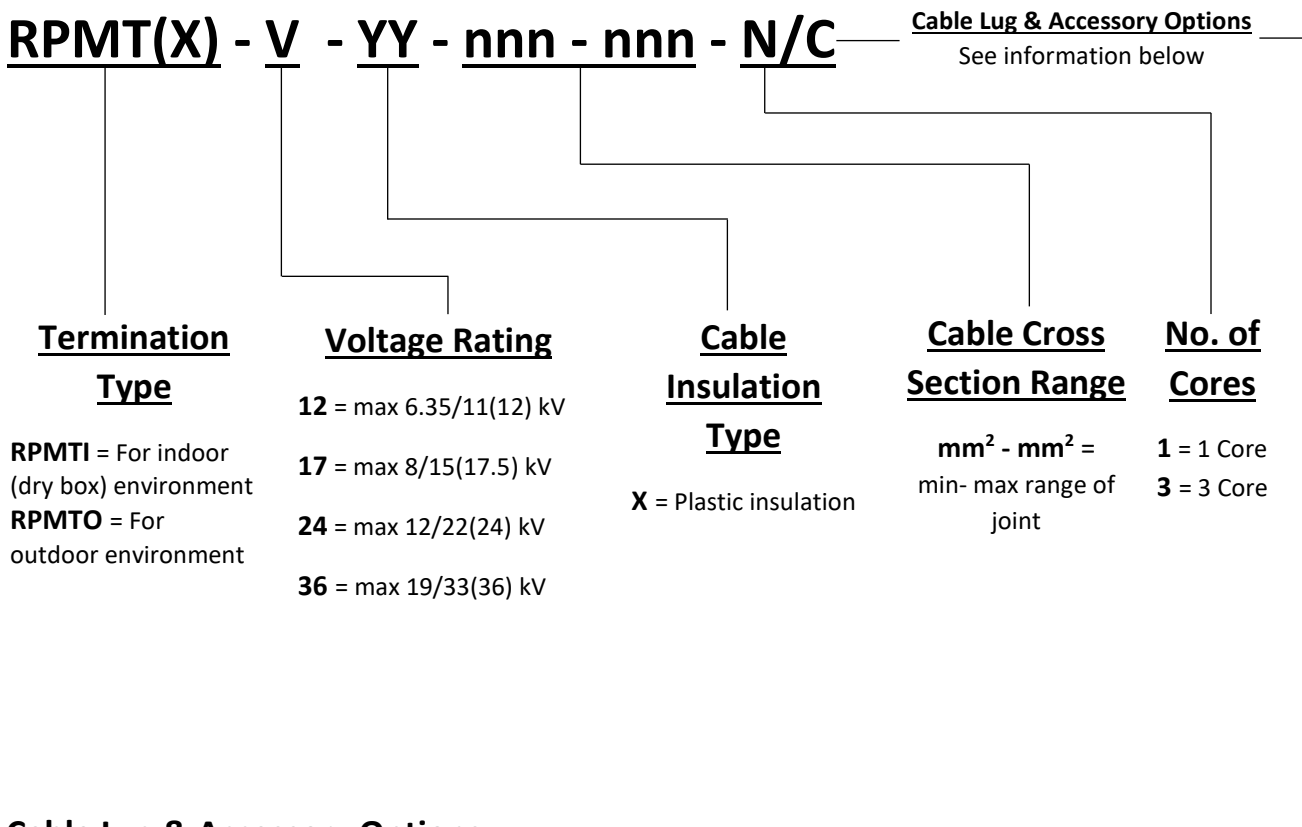


REPL RPMT range of medium voltage cable termination kits have been successfully installed on thousands of networks across the world. Using our established Heat Shrinkable tubing and mastics materials.



RPMT – Push On Cable Termination Designer for cables 12kV - 36kV

The coding system below allows installer to specify correct termination based on application and cable type. The termination code is made up of 5 elements as follows:



Cable Lug & Accessory Options:

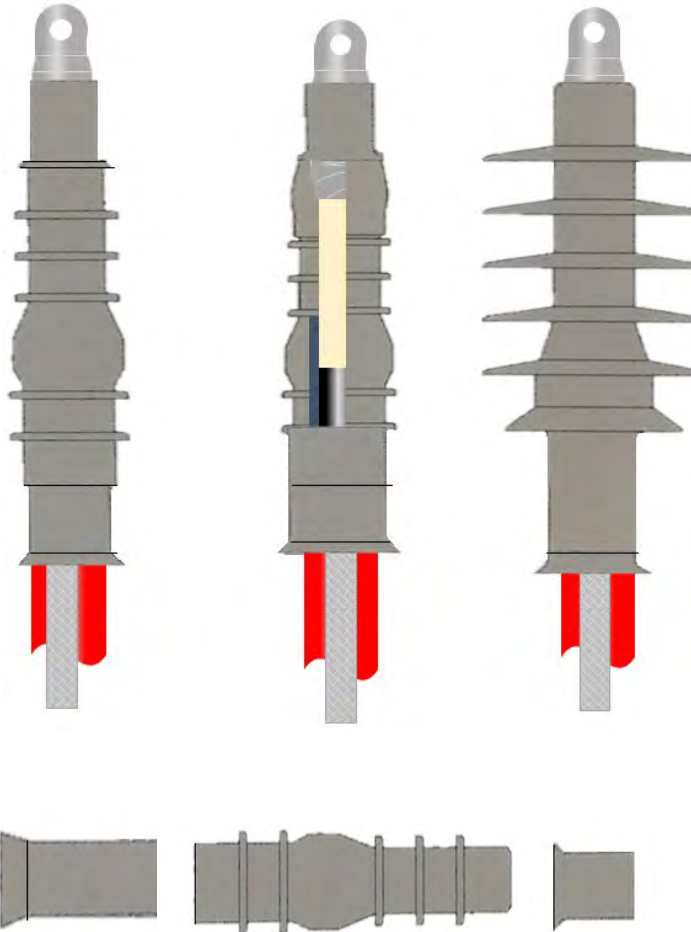
Standard termination kits are supplied without cable lugs included. They can be included in the kits by adding the following suffix to the product code:-

- **/MC** = Electro-tinned aluminium mechanical lugs supplied in kit
- **/CC** = Copper compression lugs supplied in kit
- **/AC** = Aluminium compression lugs supplied in kit

In addition, accessories can be included into the kits by adding the following suffix to the product code:-

- **/e** = Earthing connections for tape and armouring included
- **/FB** = Set of cold applied flexible insulating boots (indoor termination)
- **/BG** = Bolted gland kit for armour wires (indoor termination)
- **/IB** = Bracket & support insulator set (outdoor termination)
- **/EK** = Remote Armour Earth Kit (outdoor termination)

RPMT-(12-36)X



Push-on Cable Terminations for 1 or 3 core cables from 12kV to 36kV

REPL range of Push On Terminations are suitable for installations on medium voltage cables with polymeric insulation up to 36kV. The termination body has an integrated capacitive stress control system, with an outer layer of highly track resistant silicone rubber.

The termination also includes a silicon rubber lug sealing tube and core protection and for single core versions, an earthing connection sealing tube to seal the top and bottom of the completed termination.

Three core versions include core protection tubes and a cold shrink breakout for cable crutch sealing.

The moulded bodies are available in low profile sheds for indoor, and larger diameter moulded integrated shed versions for use in outdoor environments.

Installation is quick and easy by sliding the tubes over the core using grease as a lubricant.

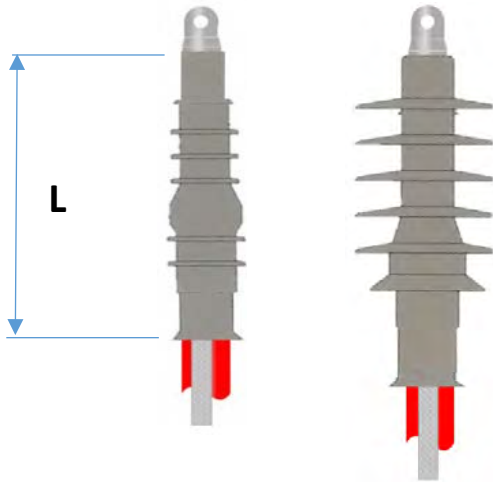
The kits can be used with compression or mechanical type cable lugs.

Technical Details for RPMT Premoulded Push On Cable Termination System

Voltage Class:	7.2kV	12kV	17.5kV	24kV	36kV
Cross Section Range (mm ²)	25 - 630	25 - 1000	35 - 1000	35 - 1000	50 - 1000
Cable Insulation Diameter (mm)	13 - 36	15 - 46	17 - 48	18 - 50	24 - 55
Voltage Rating U ₀ /U (U _m) kV	3.8/6.6 (7.2)	6.35/11 (12)	8.7/15 (17.5)	12.7/22 (24)	19/33 (36)
Basic Impulse Level (BIL) kV	60	75	95	125	194
Partial Discharge at 1.73U ⁰ (pC)	<10	<10	<10	<10	<10
AC Voltage Withstand , 5 min (kV)	>17	>27	>39	>57	>85.5
DC Voltage Withstand , 15min (kV)	>23	>36	>52	>76	>114



RPMT-(12-36)X-1



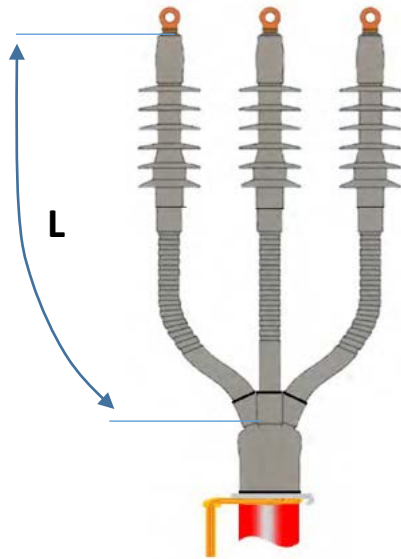
Push On Cable Terminations for 1 core cables from 12kV to 36kV

- Conforms to **CENELEC HD 629.1.S2 & IEC 60502-4**
- Quick and easy installation using no heat source or tools
- One piece termination body with integrated capacitive stress control
- Silicon Rubber material for excellent electrical insulation and weathering properties
- Can be combined with gland or earth kit for armoured cables
- Unlimited shelf life when stored correctly

Conductor Cross Section (mm ²)	Product Code Single Core	Tail length L mm	Product Code Single Core	Tail length L mm
	INDOOR Termination		OUTDOOR Termination	
Push on Termination for Polymeric Insulated single core cables rated at Um= 12kV				
25 - 70	RPMTI-12X 25-70-1	320	RPMT0-12X 25-70-1	370
95 - 150	RPMTI-12X 95-150-1	320	RPMT0-12X 95-150-1	370
185 - 300	RPMTI-12X 185-300-1	320	RPMT0-12X 185-300-1	370
400 - 500	RPMTI-12X 400-500-1	320	RPMT0-12X 400-500-1	370
Push on Termination for Polymeric Insulated single core cables rated at Um= 17.5kV				
35 - 70	RPMTI-17X 35-70-1	320	RPMT0-17X 35-70-1	370
95 - 150	RPMTI-17X 95-150-1	320	RPMT0-17X 95-150-1	370
185 - 300	RPMTI-17X 185-300-1	320	RPMT0-17X 185-300-1	370
400 - 500	RPMTI-17X 400-500-1	320	RPMT0-17X 400-500-1	370
Push on Termination for Polymeric Insulated single core cables rated at Um= 24kV				
25 - 70	RPMTI-24X 35-70-1	370	RPMT0-24X 35-70-1	450
95 - 150	RPMTI-24X 95-150-1	370	RPMT0-24X 95-150-1	450
150 - 240	RPMTI-24X 185-300-1	370	RPMT0-24X 185-300-1	450
300 - 400	RPMTI-24X 400-500-1	370	RPMT0-24X 400-500-1	450
500 - 630	RPMTI-24X 500-630-1	370	RPMT0-24X 500-630-1	450
Push on Termination for Polymeric Insulated single core cables rated at Um= 36kV				
25 - 70	RPMTI-36X 25-70-1	380	RPMT0-36X 25-70-1	500
95 - 150	RPMTI-36 95-150-1	380	RPMT0-36 95-150-1	500
150 - 240	RPMTI-36X 185-300-1	380	RPMT0-36X 185-300-1	500
300 - 400	RPMTI-36X 400-500-1	380	RPMT0-36X 400-500-1	500
500 - 630	RPMTI-36X 500-630-1	380	RPMT0-36X 500-630-1	500



RPMT-(12-36)X-3



Push On Cable Terminations for 3 core cables from 12kV to 36kV

- Conforms to **CENELEC HD 629.1.S2 & IEC 60502-4**
- Quick and easy installation using no heat source or tools
- One piece termination body with integrated capacitive stress control
- Silicon rubber core tubing and Cold Shrinkable breakout
- Can be combined with gland or earth kit for armoured cables

Conductor Cross Section (mm ²)	Product Code Three Core	Tail Length L mm	Product Code Three Core	Tail Length L mm
	INDOOR Termination		OUTDOOR Termination	
Push on Termination for Polymeric Insulated single core cables rated at Um= 12kV				
25 - 70	RPMTI-12X 25-70-3	600	RPMTO-12X 25-70-3	800
95 - 150	RPMTI-12X 95-150-3	600	RPMTO-12X 95-150-3	800
185 - 300	RPMTI-12X 185-300-3	600	RPMTO-12X 185-300-3	800
400 - 500	RPMTI-12X 400-500-3	600	RPMTO-12X 400-500-3	800
Push on Termination for Polymeric Insulated single core cables rated at Um= 17.5kV				
35 - 70	RPMTI-17X 35-70-3	600	RPMTO-17X 35-70-3	800
95 - 150	RPMTI-17X 95-150-3	600	RPMTO-17X 95-150-3	800
185 - 300	RPMTI-17X 185-300-3	600	RPMTO-17X 185-300-3	800
400 - 500	RPMTI-17X 400-500-3	600	RPMTO-17X 400-500-3	800
Push on Termination for Polymeric Insulated single core cables rated at Um= 24kV				
25 - 70	RPMTI-24X 35-70-3	600	RPMTO-24X 35-70-3	800
95 - 150	RPMTI-24X 95-150-3	600	RPMTO-24X 95-150-3	800
150 - 240	RPMTI-24X 185-300-3	600	RPMTO-24X 185-300-3	800
300 - 400	RPMTI-24X 400-500-3	600	RPMTO-24X 400-500-3	800
Push on Termination for Polymeric Insulated single core cables rated at Um= 36kV				
25 - 70	RPMTI-36X 25-70-3	600	RPMTO-36X 25-70-3	800
95 - 150	RPMTI-36 95-150-3	600	RPMTO-36 95-150-3	800
150 - 240	RPMTI-36X 185-300-3	600	RPMTO-36X 185-300-3	800
300 - 400	RPMTI-36X 400-500-3	600	RPMTO-36X 400-500-3	800